



PlusPRO 6 Series

ON-LINE UPS

1000VA / 2000VA / 3000VA
(100/110/120/125Vac)

PlusPRO 6 Series



PlusPRO 6-1000
1000VA/900W



PlusPRO 6-2000
2000VA/1800W



PlusPRO 6-3000
3000VA/2700W

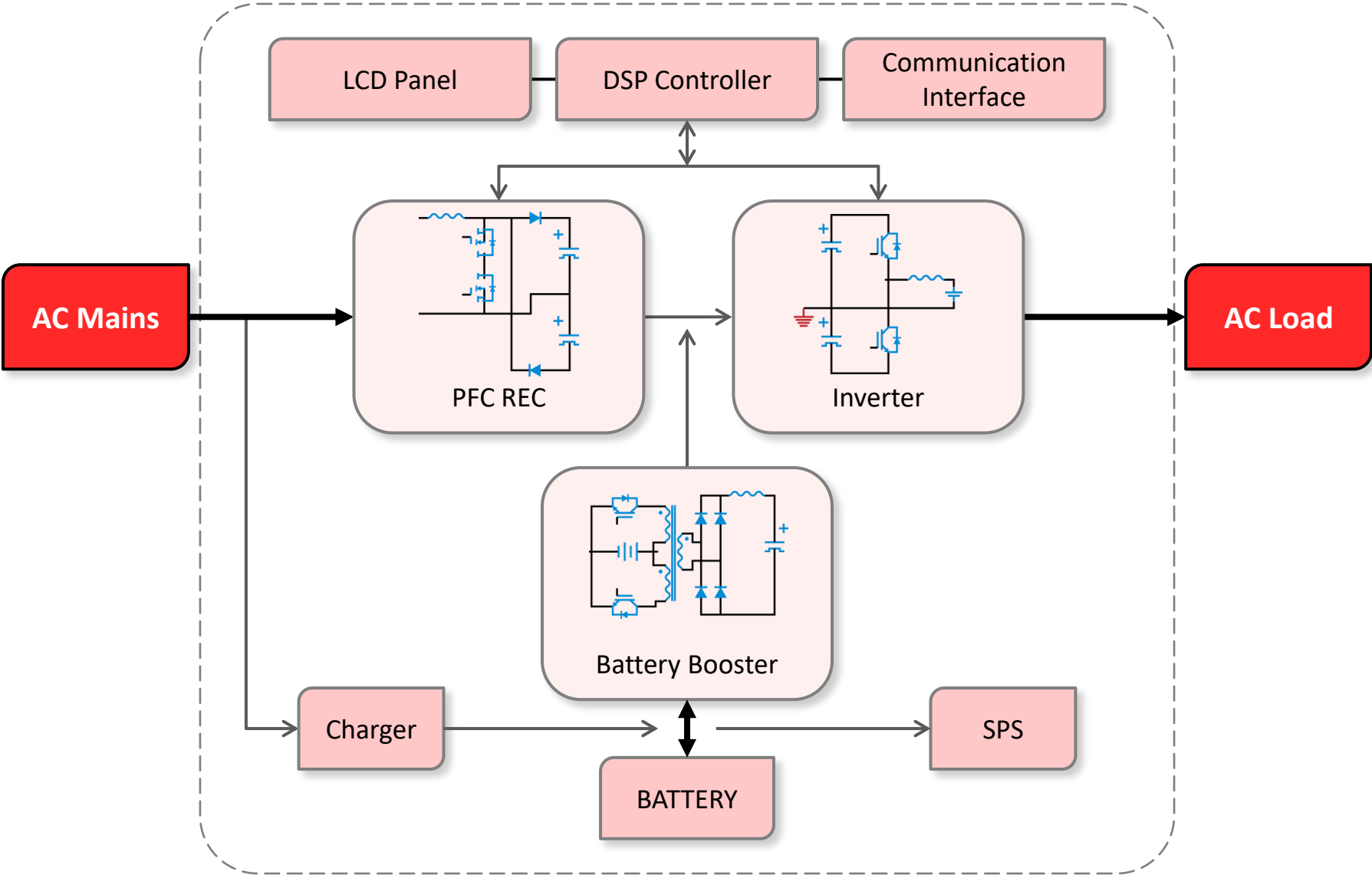
Product Introduction

PlusPRO 6 LV series 1000VA to 3000VA is a true double conversion online UPS with **pure sinewave** output **and zero transfer time** in a compacted stand-alone unit.

Featuring 1000VA, 2000VA, 3000VA configuration with wide input range **55VAC to 145VAC**, **output power factor 0.9**, **LCD display**, PlusPRO 6 Series LV Tower 1000VA to 3000VA model stand out as high efficient line of online UPS for mission critical equipment in data/computer center or industrial applications.

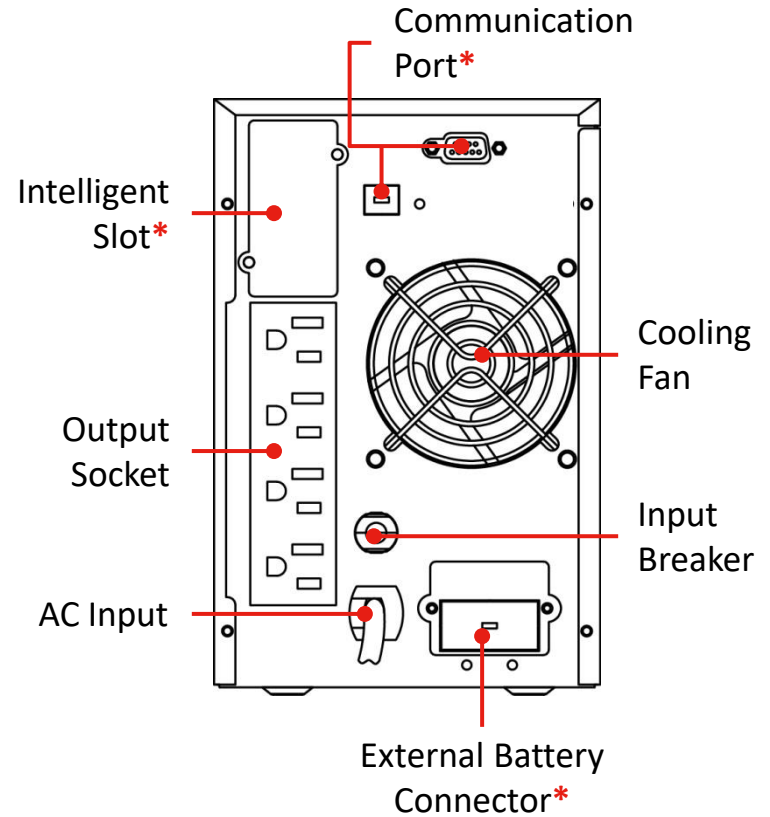


Basic Functional Module and Power Topology



Structural Diagram

PlusPRO 6-1000

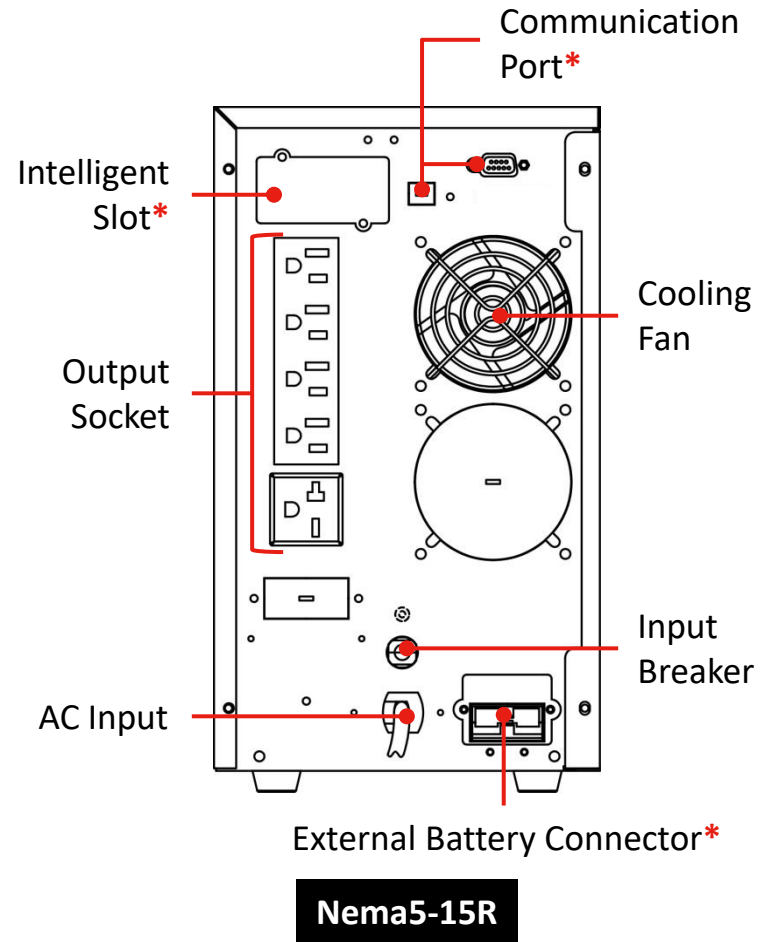
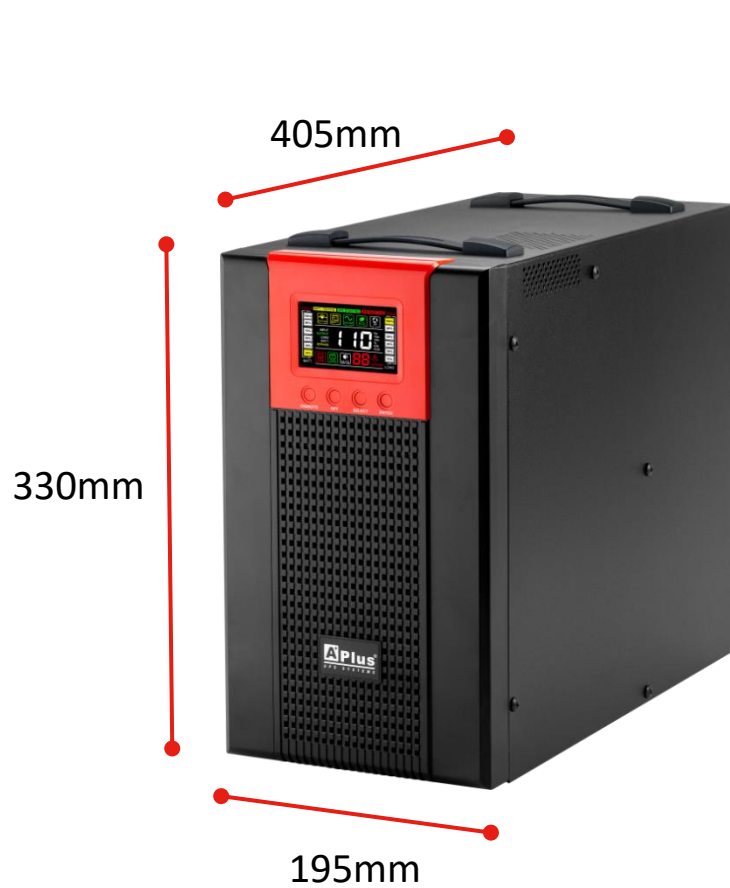


Nema5-15R

*Optional

Structural Diagram

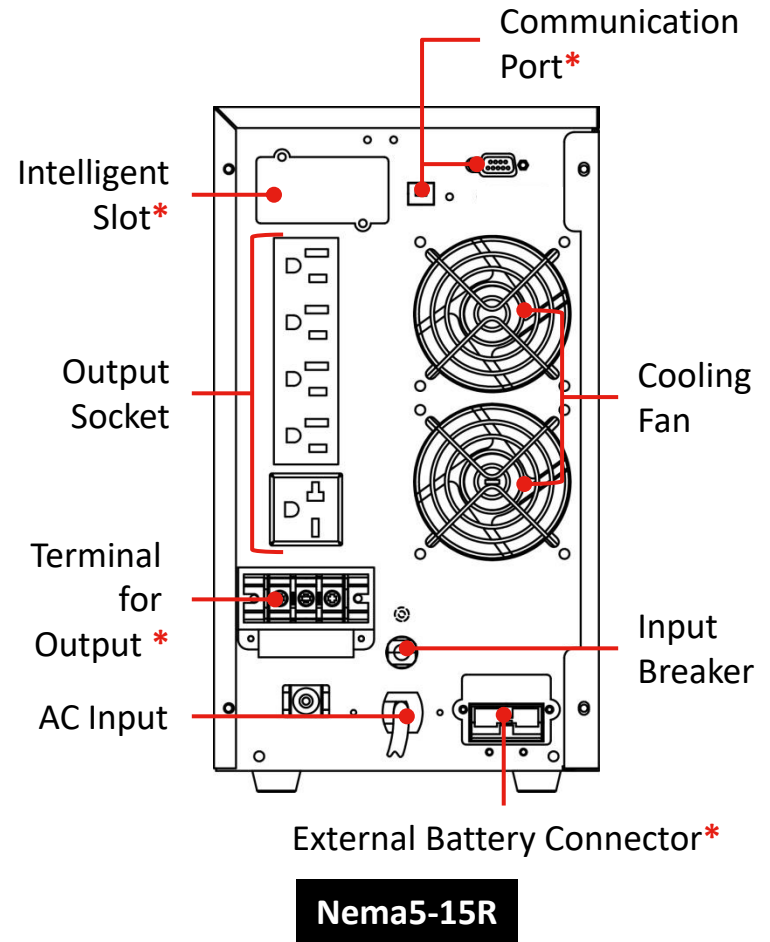
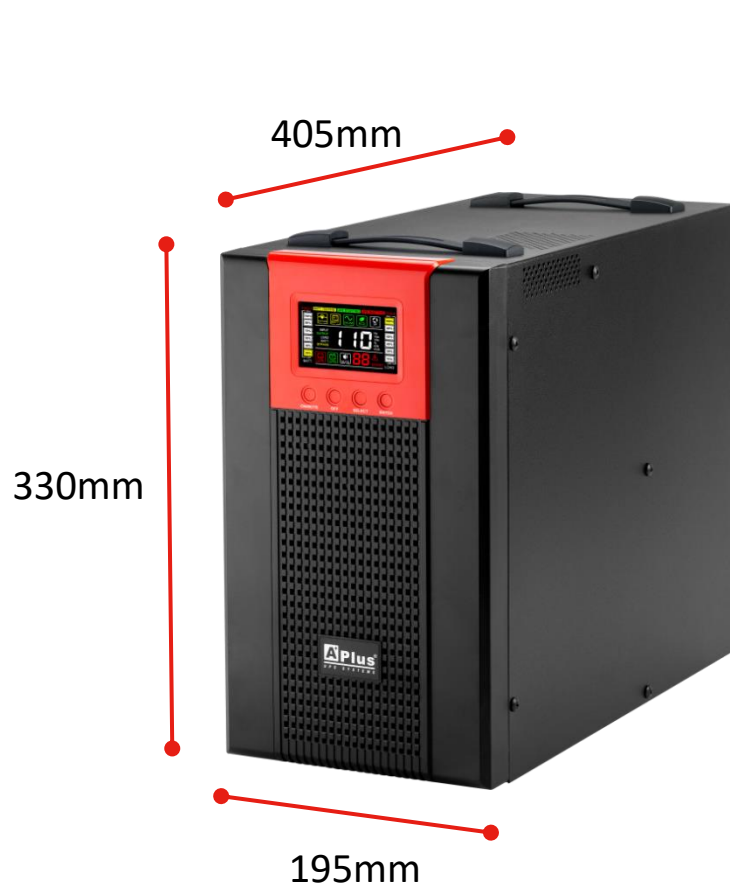
PlusPRO 6-2000



*Optional

Structural Diagram

PlusPRO 6-3000



*Optional

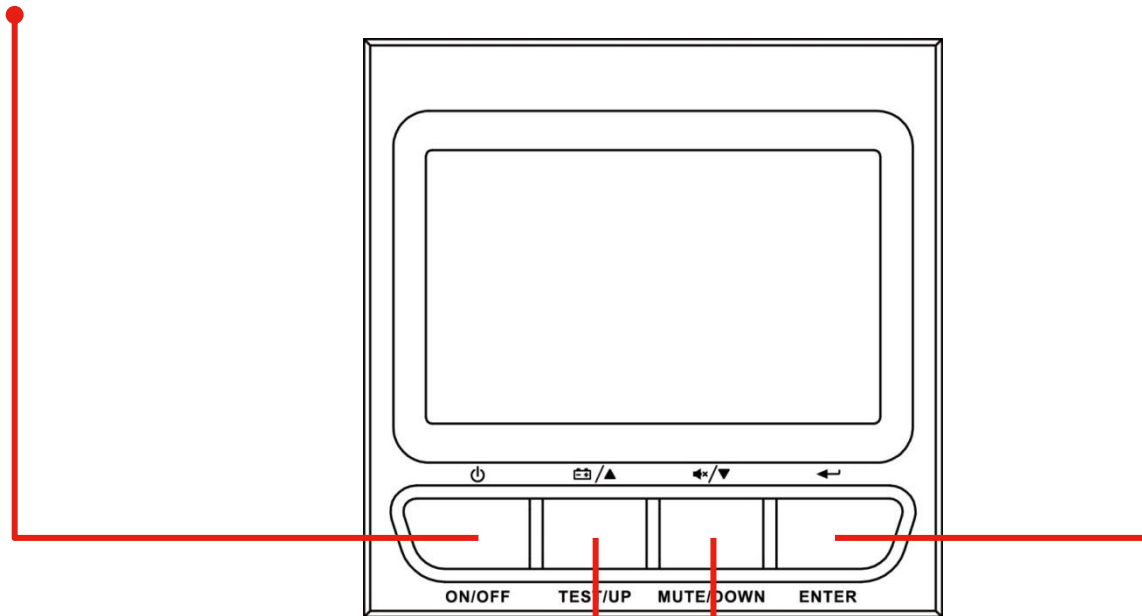
Button Information

ON/OFF-Button

By pressing this Button, the UPS system can be turned on or turned off.

ENTER-Button

Enter button is used to enter setting mode and confirm change of the setting.



TEST/UP-Button

The Up Page Button is used to switch the display the LCD display information, and activate the battery self-test function.

MUTE/DOWN-Button

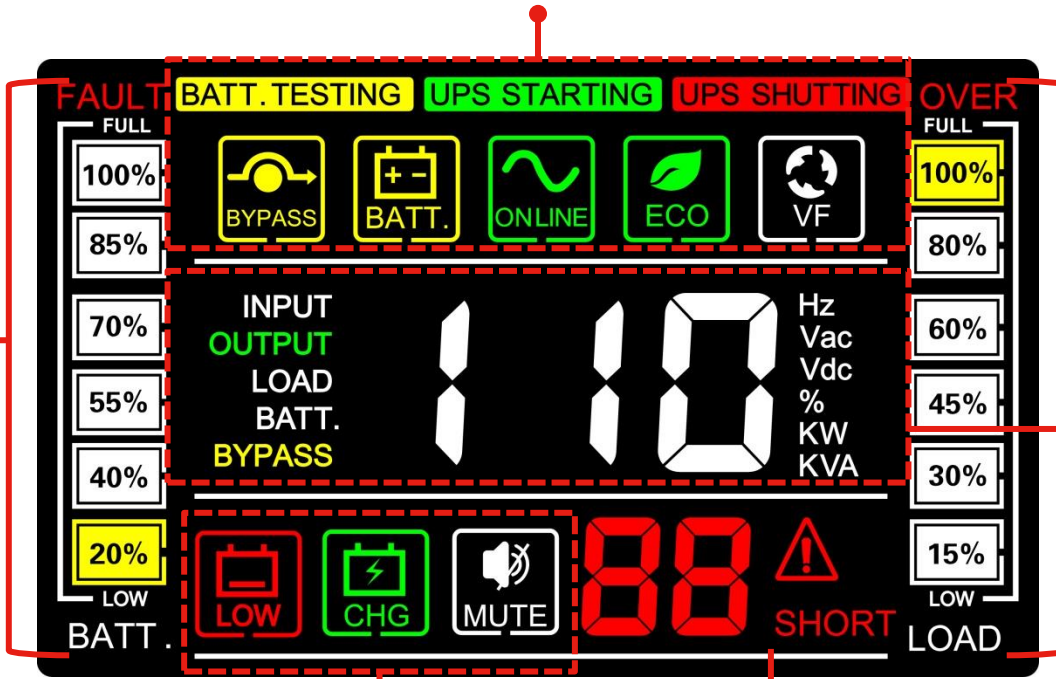
The Down Page Button can also be used to switch the display the LCD display information, and muted/recover the buzzer alarm function.

LCD with Color Display

Battery Information

Mode Operation Information

Load Information



Mode Operation Information

Fault Information

Input/Output Information

Features

- Intelligent Slot (SNMP) + USB multiple communications (Optional)
- High performance true double conversion On Line UPS 1-3KVA
- External battery bank to extend back-up time (Optional)
- Microprocessor control guarantees high reliability
- Low heat dissipation in long time operation
- RS-232 port multiple communications
- High efficiency mode (ECO mode)
- Output voltage regulation +/-1%
- Automatic self-testing function
- Power management software
- Output power factor 0.9
- Wide input range
- Fan speed control
- DC start

Specifications

MODEL	PlusPRO 6-1000	PlusPRO 6-2000	PlusPRO 6-3000
CAPACITY	1KVA/0.9KW	2KVA/1.8KW	3KVA/2.7KW
INPUT			
Voltage	1 Phase 2 Wires with Ground 100/110/120/125Vac		
Voltage Range	55Vac-145Vac		
Frequency	40Hz-70Hz		
OUTPUT			
Voltage	100/110/120/125Vac		
Voltage Regulation	+/-1%		
Frequency (Battery Mode)	50Hz or 60Hz +/-0.05Hz		
Waveform	Pure Sinewave		
THD	<2% (linear load)		
Crest Ratio	3 : 1		
EFFICIENCY			
Inverter Mode	>88%	>89%	>90%
BATTERY			
Type	Maintenance free sealed lead-acid battery		
Voltage	24VDC	48VDC	72VDC
Recharge Time	5 hours to 90%		

*Product specifications are subject to change without further notice.

Specifications

MODEL	PlusPRO 6-1000	PlusPRO 6-2000	PlusPRO 6-3000
TRANSFER TIME			
Battery Mode to Inverter Mode	0ms		
Inverter to Bypass	4ms		
DISPLAY			
LCD Display	Input, Output, Load, Battery, Mode/Fault/Warning code, Inverter operating, Bypass operating, Output voltage and frequency and Bypass disable/enable selection information		
AUDIBLE ALARM			
Battery Mode	Beeps Every 4 Seconds		
Low Battery	Sounding Every Second		
Overload	Sounding Twice Every Second		
Fault	Beeping Continuously		
COMMUNICATIONS			
Interface Port	RS-232		
USB Port	Optional		
SNMP Slot	Optional		

*Product specifications are subject to change without further notice.

Specifications

MODEL	PlusPRO 6-1000	PlusPRO 6-2000	PlusPRO 6-3000
ENVIRONMENT			
Operation Temperature	0°C-40°C		
Humidity	<95% (Non-condensing)		
Acoustic Noise	<55dB at 1M		
PHYSICAL			
LCD Display	355*145*220mm	405*195*330mm	

*Product specifications are subject to change without further notice.



APLUS POWER CORP.

Aplus, Reliable Power Brand Deserve Your Trust